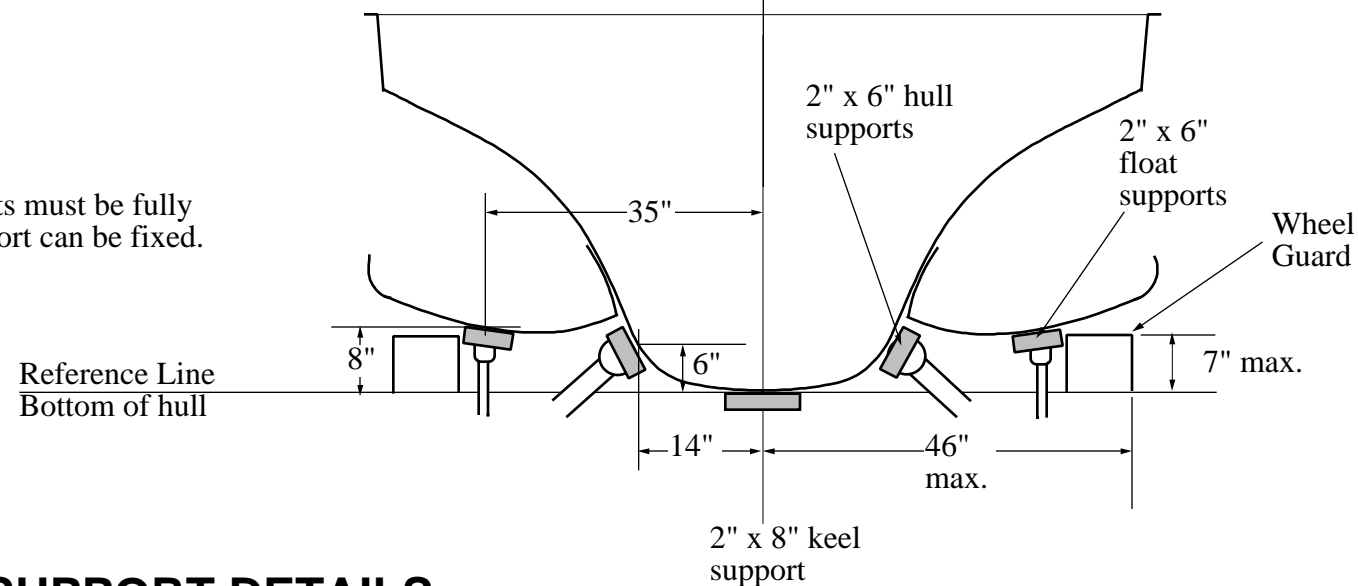


Keel support to be curved at aft end as shown. Pack up 1 1/4"

Float and hull supports must be fully adjustable. Keel support can be fixed.



Tie down loops are required at aft corners of trailer

Amber waterproof lights are required in front of wheels. Other trailer lights are mounted on boat.

Socket for removable side guide is required on each side at aft end of trailer

F-27 TRAILER SUPPORT DETAILS

Min. required Load Capacity is 3500lbs

Scale 36:1

CORSAIR MARINE, 150 Center St.,
Chula Vista, CA 92011. Ph. (619) 585 3005

Drawn by Ian Farrier

January 31, 1990